

Specifications

SMART Board® 7075 display with iQ and SMART Learning Suite

Model SBID-7275-V2

Overview

The SMART Board® 7075 display with iQ and SMART Learning Suite is the hub of your classroom. iQ technology connects devices, lesson content, and educational software to create a teaching and learning experience. PC-free embedded computing provides one-touch access to collaborative tools, such as wireless screen sharing and a web browser, and a diverse suite of SMART applications—Notebook lessons, workspaces, gamification activities, and whiteboard. With minimal network integration, there's no need for wires, cables, or manual software and firmware updates.

The 75" 4K ultra-high-definition LED display provides optimal image clarity and wide viewing angles. With the Pen ID™ feature, you can assign different appearances to the four pens and write or draw over any application in digital ink.

Object Awareness™ allows you to perform mouse functions with your finger, write in digital ink with the pen, and erase with your palm or eraser—all without switching tools or modes. You can use a variety of gestures in applications, and four users can write or draw at the same time.

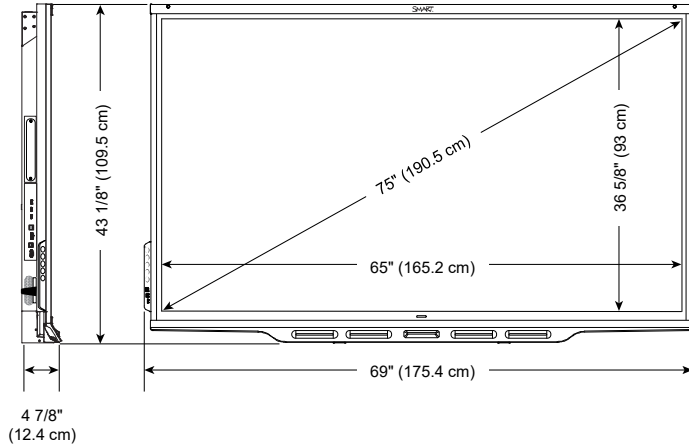
See education.smarttech.com for more information.



As an ENERGY STAR® certified signage display, the SMART Board 7075 interactive display meets strict energy efficiency guidelines set by the U.S. Environmental Protection Agency and Department of Energy.

Dimensions and weights¹

Dimensions



Weight

172 lb. (78 kg)

Shipping dimensions (including pallet)

75 3/8" × 54 1/4" × 11 3/4"
(191.6 cm × 137.8 cm × 30 cm)

Shipping weight

225 lb. (102 kg)

Hardware

Interaction

Touch technology	HyPr Touch™ (Hybrid Precision Touch) proprietary hybrid system, which greatly improves upon its InGlass™ core by optimizing both touch and pen performance, resulting in virtually no lag and zero contact detect height
Multitouch capabilities	Up to 16 simultaneous interaction points (combination of 10 finger touch points, four pen touch points and two eraser touch points) ²
Object Awareness	Behavior adjusts automatically to the tool or object you're using, whether it's a pen, finger, eraser, or palm.
Pen ID	Four people can write independently and simultaneously, using different colored ink.

Display

Type	LCD with LED back light
Aspect ratio	16:9
Optimal resolution (HDMI inputs)	4K UHD (3840 × 2160) at 60 Hz
Horizontal frequency (typical)	135 kHz
Vertical frequency (typical)	60 Hz

¹All dimensions ± 1/8" (0.3 cm). All weights ± 2 lb. (0.9 kg).

²Only up to 10 touch points and no pen or eraser support on Chrome OS™ operating system

Contrast ratio (typical)	5000:1
Brightness (maximum)	360 cd/m ²
Pixel dimensions	0.429 mm × 0.429 mm
Viewing angle	178°
Response time (typical)	8 ms
100BASE-T Ethernet	Two external ports for a four-port Fast Ethernet switched network connecting the interactive display and the OPS module to an external network and an external device, such as a computer
Wi-Fi	IEEE 802.11A/B/G/N/AC with 2 × 2 MIMO (both 2.4 and 5 GHz bands)
Bluetooth®	Bluetooth 4.2 dual mode (backwards compatible with Bluetooth 2.1 + EDR)
Occupancy sensor	Sensor that reduces startup time and power consumption during inactivity
Audio	10 W integrated speakers (×2)
Noise level	<32 dBA
Included cables and accessories	AM50 appliance Country-specific power cable USB cable Pen (×4) Eraser
Mounting holes	For a standard VESA 600 mm × 400 mm mounting plate Lower mounting holes 13 3/4" (35 cm) from the bottom of the interactive display
Mounting bracket depth	Minimum depth of 2" (5.1 cm) for all components on the back of the interactive display for airflow
iQ technology	
Included apps and features	Customizable Home screen Whiteboard SMART Notebook® Player Browser Screen Share File and app libraries Annotation layers
Supported languages	Dutch English French German Italian Korean Norwegian Russian Simplified Chinese Spanish Swedish Traditional Chinese Vietnamese

Connectors

Side	<p>OPS slot (for standard OPS devices)</p> <p>HDMI 2.0 out</p> <p>USB 2.0 Type-A</p> <p>USB 3.0 Type-A</p> <p>“HDMI 1” input connectors</p> <p>Video/audio: HDMI 2.0 in with HDCP 1.4 and HDCP 2.2 support</p> <p>Touch: USB 3.0 Type-B</p> <p>“HDMI 2” input connectors</p> <p>Video/audio: HDMI 2.0 in with HDCP 1.4 and HDCP 2.2 support</p> <p>Touch: USB 3.0 Type-B</p>
Bottom	<p>RJ45 (×2)</p> <p>S/PDIF out</p> <p>Stereo 3.5 mm out</p> <p>“VGA” input connectors</p> <p>Video: VGA in</p> <p>Audio: Stereo 3.5 mm in</p> <p>Touch: USB 3.0 Type-B</p> <p>AC power in</p> <p>AC power out</p> <p>RS-232 in</p> <p>RS-232 out</p>
Convenience panel	<p>“HDMI 3” input connectors</p> <p>Video/audio: HDMI 2.0 in with HDCP 1.4 and HDCP 2.2 support</p> <p>Touch: USB 3.0 Type-B</p> <p>USB 3.0 Type-A (×2)</p>

Installation requirements

Interactive display	See the <i>SMART Board 7000 and 7000 Pro series interactive displays installation and maintenance guide</i> (smarttech.com/kb/171164)
----------------------------	---------------------------------------------------------------------------------------------------------------------------------------------------------------------------------------

! IMPORTANT

The display needs an internet connection for downloading and installing important updates. Ask the network administrator to confirm that the network has been correctly configured for the iQ experience. For more information about network configuration, see [Connecting a SMART display with the iQ experience to a network](#).

Room computers and guest laptops

General requirements	See SMART Notebook software release notes
4K UHD	Video card that can support 3840 × 2160 resolution at 60 Hz and that has 1 GB DDR 5 memory See Minimum requirements for Ultra High Definition or 4K on your interactive flat panel

Mini-computers

General requirements	See SMART Notebook software release notes
Dimensions	Smaller than 10" × 10" × 2" (25.4 cm × 25.4 cm × 5.1 cm)
Weight	Less than 10 lb. (4.5 kg)
Mounting	VESA 75 mm × 75 mm or 100 mm × 100 mm mounting pattern

Cable requirements**HDMI**

Maximum length: 23' (7 m)

NOTES

- Use only certified HDMI cables that have been tested to support the performance standard you require.
- The performance of cables longer than 23' (7 m) is highly dependent on the cable's quality.

USB 2.0

USB 2.0 certified
 Hi-Speed (480 Mbps) support
 Maximum length: 16' (5 m)

USB 3.0

USB 3.0 certified
 SuperSpeed (5 Gbps) support
 Maximum length: 9' (3 m)

NOTES

- SMART supports only installations that use a 9' (3 m) direct connection or a 49' (5 m) connection that includes an AC-powered active USB extender.
- You might be able to use higher-grade cables that are longer than 9' (3 m). If you have problems with such a cable or an extender of any type, test the connection with a 9' (3 m) or shorter cable before contacting SMART Support.

Important

Using cables that exceed these maximum lengths can produce unexpected results, such as degraded picture quality or USB connectivity. Refer to *Installation best practices for SMART products* (smarttech.com/kb/171035) for comprehensive information about cables and extensions for SMART hardware products.

Storage and operating requirements

Power requirements 100V to 240V AC, 50 Hz to 60 Hz

Power consumption at 77°F (25°C)

Standby mode <2.0 W with full network capability

Normal operating 142 W

Operating temperature 41–95°F (5–35°C)

SPECIFICATIONS

SMART BOARD 7075 DISPLAY WITH IQ AND SMART LEARNING SUITE – MODEL SBID-7275-V2

Storage temperature	-4–140°F (-20–60°C)
Humidity	5–80% relative humidity, non-condensing

Certification and compliance

Regulatory certification	EU RED and LV Directives, ISED, FCC, cUL, UL, CITIC, EAC, MIC, VCCI, RCM, SIRIM, TRA
---------------------------------	--------------------------------------------------------------------------------------

Regulatory model	ID7075-2
-------------------------	----------

Environmental compliance

European Union	REACH, RoHS, Battery Directive, Packaging Directive, POP
U.S.	CONEG Packaging, California Prop 65

Purchasing information

Order number	
SBID-7275-V2	SMART Board 7075 display with IQ and SMART Learning Suite

Optional accessories	
UGK-AM50-EDU	AM50 appliance with Intel® Compute Card for SMART Board interactive displays
Other	See smarttech.com/accessories

Warranty	Three-year limited equipment warranty
-----------------	---------------------------------------

Extended warranty	
EWY1-SBID-7275	One-year warranty extension
EWY2-SBID-7275	Two-year warranty extension

smarttech.com/support
smarttech.com/contactsupport

© 2019 SMART Technologies ULC. All rights reserved. SMART Board, SMART Notebook, Pen ID, Object Awareness, HyPr Touch, smarttech, the SMART logo and all SMART taglines are trademarks or registered trademarks of SMART Technologies ULC in the U.S. and/or other countries. The Bluetooth word mark is owned by the Bluetooth SIG, Inc. and any use of such marks by SMART Technologies ULC is under license. All other third-party product and company names may be trademarks of their respective owners. This product and/or use thereof is covered by one or more of the following U.S. patents: www.smarttech.com/patents. Contents are subject to change without notice. 06/2019.